

Flat M, Princes Court
Knightsbridge, London SW3

Approximate Gross Internal Floor Area
110 sq ft / 10.2 sq m
Plus mezzanine 37 sq ft / 3.4 sq m

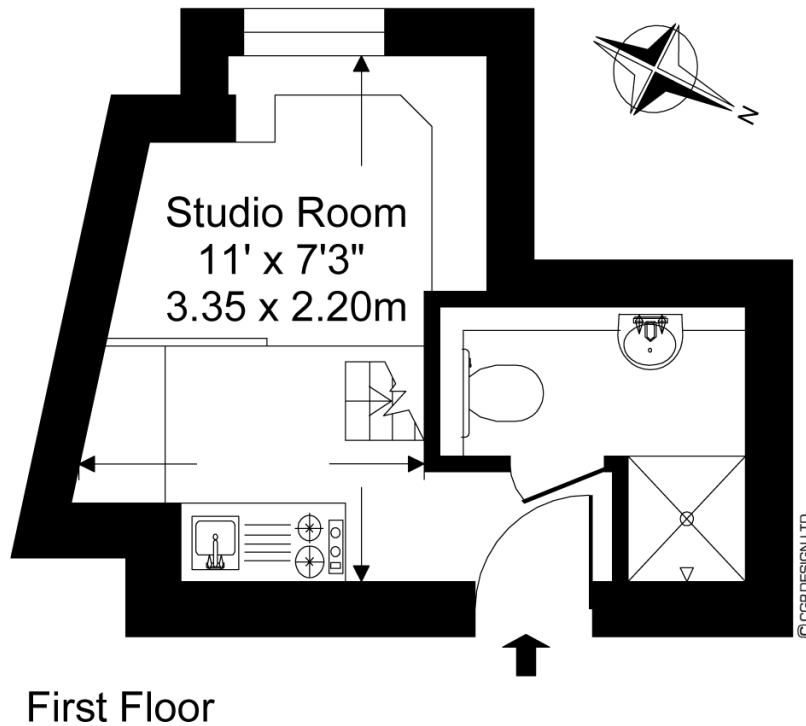
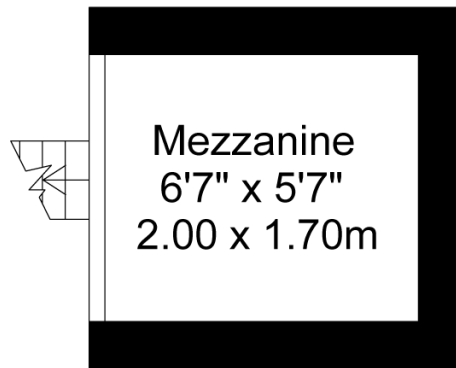


ILLUSTRATION FOR IDENTIFICATION PURPOSES ONLY

ALL MEASUREMENTS ARE MAXIMUM, AND INCLUDE WINDOW BAYS AND WARDROBES WHERE APPLICABLE
THIS PLAN MUST NOT BE REPRODUCED BY ANY OTHER PERSON WITHOUT PERMISSION.